

S400 Specification Sheet

The S400 uses patented UVC technology, laboratory tested in bio-aerosol test chambers, to eliminate up to 99.9995% of viruses, eradicate bacteria and mold, removing up to 97% of non-viable particulates, destroying odor, and removing VOC's in a standard room in minutes!

Specification

Physical Dimensions

- 22 x 37 inches
- Weighs 62 pounds

Electrical Ratings

- Rated at 110 volts
- Rated at 1.6 Amps
- Green Dot Grounded

Decibel Level

- 62-64 decibels Certifications
- MET US/C UL 507

Construction

- High grade steel
- Antimicrobial powder coating
- Aluminum wheel base

Air Circulation

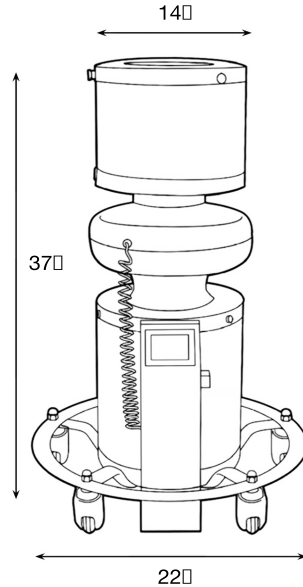
- 400 CFM Motor Fan Speed
- Will not affect positive/negative pressure
- Air intake matches air exhaust
- 360 degree vortex air flow over a large surface area.
- Will not affect room air exchanges or room air flow.

Disinfection Process

- HEPA (0.3 um) pre-filter
- UV-C 253.7nm (254 nm) 36W non-ozone light array
- Treated carbon-coir substrate final filter granulated moisture resistant

Cleaning

- Wipe down entire machine with
- Antibiotic cleaner



120VAC 1.2A 60Hz

EPA Est.
92896-FL-1



Features

- Powerful 400 CFM fan performs complete air change disinfection 1-2 times an hour in a typical room of 12,500 cubic feet
- High-capacity HEPA pre-filter reduces particulates down to 0.3 microns.
- Large-volume UVC kill chamber processing germ-laden air destroying virus, bacteria, Mold, odor, and VOC's.
- 360-degree total air circulation system is quiet, and undetectable with matching air induction and exhaust vortex.
- Zero airflow disturbance, no temperature or humidity variations, no negative or positive air pressure interference, NO by products, NO ozone.
- Lightweight 62 lbs. With aluminum balanced security base for superb stability and safety.
- 110-120 voltage standard outlet with the same power requirements as a typical residential ceiling fan.
- Green-Dot grounded electrical cord.
- On-Board Digital screen reporting:
 - a. HEPA filter/air flow integrity
 - b. Carbon final filtration integrity
 - c. UVC light intensity/integrity
 - d. Processed CFM air volume
- Premium wheel for effortless mobility on all surfaces with touch toe locking casters.
- Consumable component "snap-in snap-out" replacements with simple and economical annual self service.
- Dimensions 22"W x 37"H 62lbs.

\$3,999.00

